

Iso-Flex CapSpan

Rubber Coated Safety Cover for Expansion Joint Openings

PRODUCT OVERVIEW

Iso-Flex CapSpan is a next generation hinged, ADA Compliant steel cover plate that is fully encapsulated by rubber. The system is intended to bridge over expansion joints in pedestrian and slow speed vehicular traffic locations. Iso-Flex CapSpan helps reduce potential tripping hazards by providing a skid resistant, smooth, and safe transition over expansion joint openings. Ideal applications include parking garages, plaza decks, stadium concourses, airports, and other joints that require a smooth transition over expansion joints.

PRODUCT ADVANTAGES

- Designed with a rubber hinge to allow for vertical displacement.
- Rubber encapsulated steel plates dramatically reduces sound impact
- Fast and easy installation
- Provides adequate load carrying ability for low speed vehicular traffic

DESCRIPTION

Iso-Flex CapSpan is a steel reinforced cover system that is fully encapsulated within an EPDM elastomer. The cover plate system provides a pedestrian friendly, slip resistant transition over expansion joint systems and other types of openings, dramatically reducing potential tripping hazards. Tongue and groove connectors allow for easy transitions between plate pieces. The design of the system allows for some vertical deflection from one side of the joint to the other.

INSTALLATION

Preparatory Work: Surfaces must be level, sound, and free from protrusions, divots, spalls, and other foreign material that would prevent proper attachment of the plate and anchorage system. Ensure that the pertinent dimensions are within the tolerances specified for the Iso-Flex CapSpan System.

To install: Grind smooth the tops of each surface where the system will be used. Uneven surfaces can affect the anchorage of the system and can affect the transition between pieces of the system. Each opposing surface that the plate system will rest on should be free of protrusions. (See complete Installation Procedures)

Limitations: Iso-Flex CapSpan is not appropriate for use on precast concrete construction where live load flexure of the precast elements is expected. Do not use in high speed or high load applications.

PHYSICAL CHARACTERISTICS

Length, feet	6 ft/piece
Tensile Strength, min PSI	1500
Elongation, Ultimate, min %	350
Hardness, Shore A	65 +/- 5
Heat Resistance (70 hrs@ 212° F)	
Tensile Strangth, max	25%
Elongation, max	25%
Hardness, max	10 pt
Oil Resistance (70 hrs@ 212° F)	
Volume, max	120%
Ozone Resistance	
50 pphm for 72 hours @ 104° F	100 rating
Compression Set	
22 hrs @ 212° F, max	50%

SHORT FORM SPECIFICATION:

Cover plate system shall be Iso-Flex CapSpan as manufactured by LymTal International, Inc., 4150 S. Lapeer Rd., Lake Orion, MI, 48359. The system shall be a fully encapsulated rubber coated, hinged cover plate. The manufacturer shall furnish a Certificate of Compliance with these requirements.

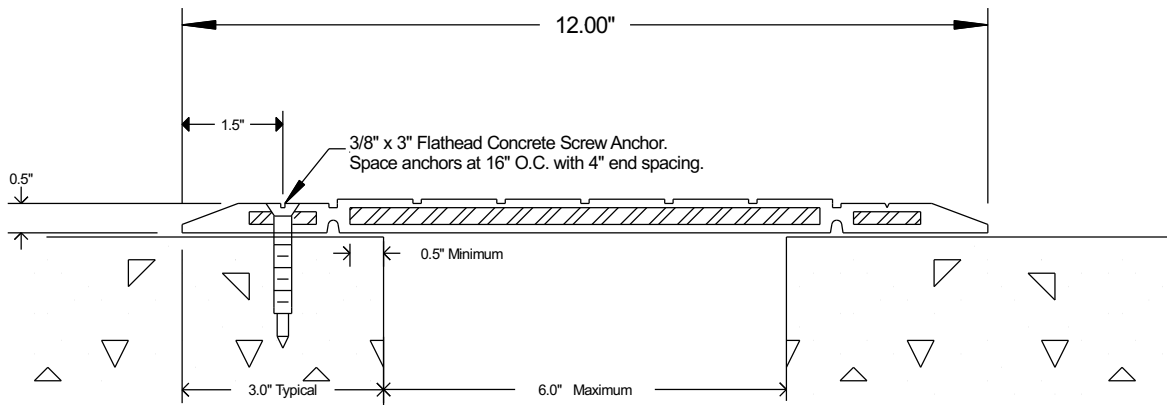
TECHNICAL SERVICES

Analysis of particular project requirements and recommendations for the proper use of Drain Guard are available from the manufacturer and local representatives. Call 248-373-8100 or fax your detail to 248-373-3480.

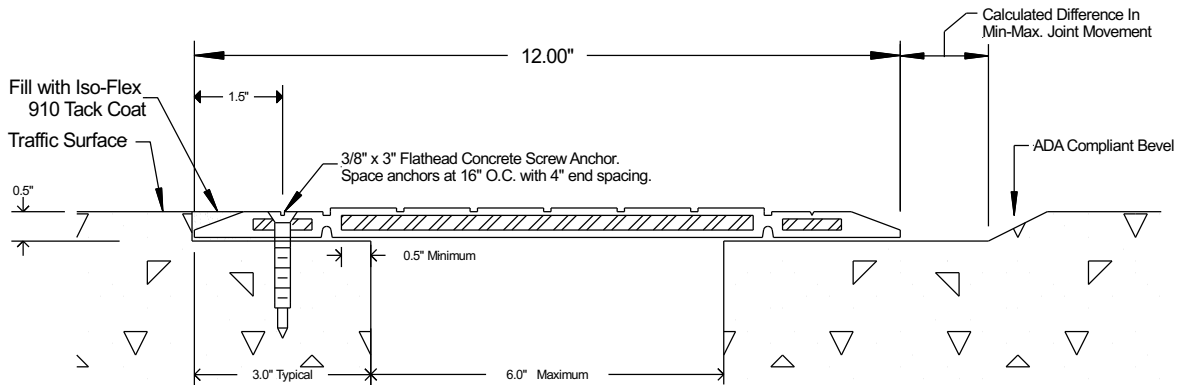
WARRANTY:

LymTal warrants that its products are manufactured free of defects and conform to the technical data listed. Under this warranty we will replace, at no charge, any material proven defective when applied in accordance with our written instructions for applications recommended by us as suitable for subject product. LymTal shall not be liable for any for any injury, loss or damage, direct or consequential, arising out of the use of the product.

Revised 03/23



Surface Mounted Condition



Blockout Mounted Condition

Notes:

1. IsoFlex CapSpan CS120 is capable of handling a 1/2" vertical offset as measured from one side of joint gap to the other.

LymTal International, Inc.

4150 South Lapeer Road • Lake Orion, MI 48359 • Tel (248) 373-8100 • Fax (248) 373-3480