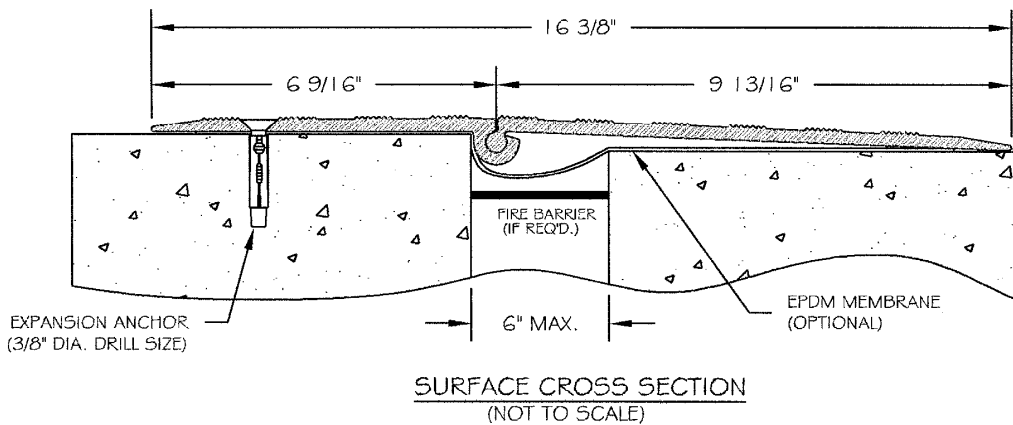
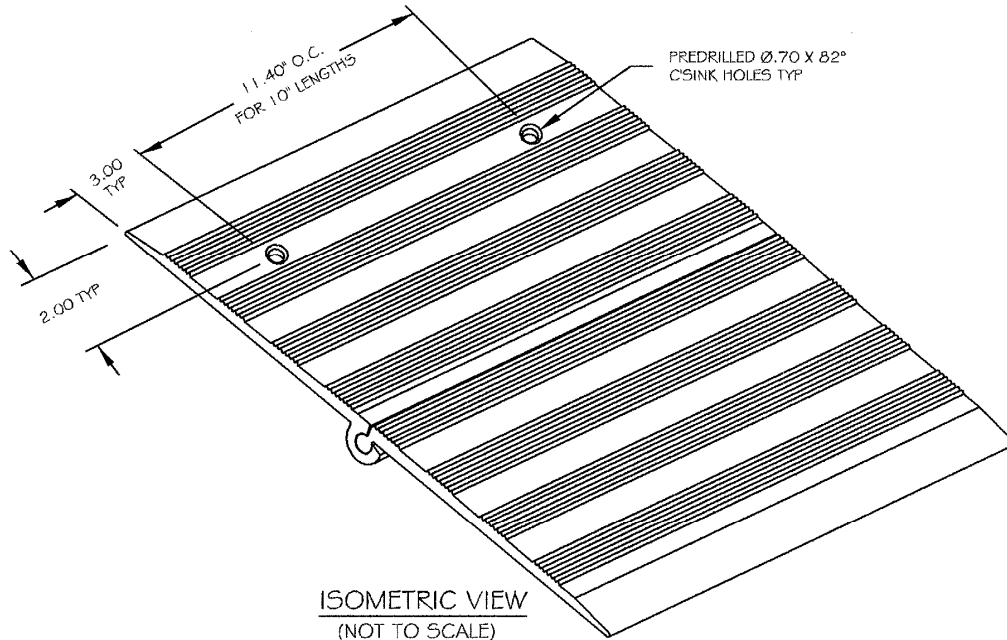


Iso-Flex PD16 Series Aluminum Joint

PRODUCT DESCRIPTION

The PD Series of surface mounted expansion joint covers eliminate the problems of live-load movement and differential settlement. The PD Series utilizes a patented hinge that will accommodate 2" of vertical movement. Recommended areas for usage include; plaza decks, material handling areas and other heavy traffic applications.



SPECIFICATIONS

- 6063-T6 ALUMINUM
- MILL FINISH
- SUPPLIED WITH EXPANSION
- ANCHORS ARE ZINC COATED CARBON STEEL (SUPPLIED WITH RUBBER WASHER)
- STANDARD LENGTH= 10' / SECTION

OPTIONS

- CLEAR ANODIZED FINISH
- EPDM MEMBRANE