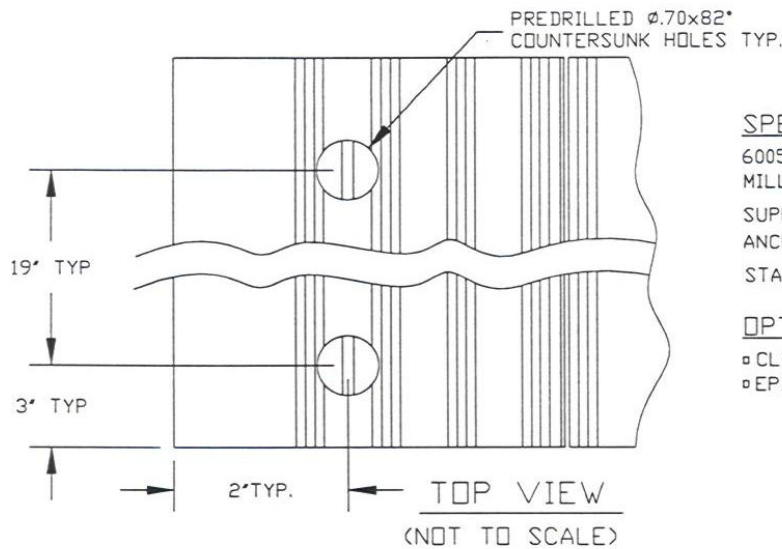


Iso-Flex PD8 Series Aluminum Joint

PRODUCT DESCRIPTION

The PD Series of surface mounted expansion joint covers eliminate the problems of live-load movement and differential settlement. The PD Series utilizes a patented hinge that will accommodate 2" of vertical movement. Recommended areas for usage include; plaza decks, material handling areas and other heavy traffic applications.



SPECIFICATIONS

6005-T5 OR 6063-T6 ALUMINUM
MILL FINISH
SUPPLIED W/ EXPANSION
ANCHORS & CERAMIC EPOXY
STANDARD LENGTH = 10'/SECTION

OPTIONS

- ▣ CLEAR ANODIZED FINISH
- ▣ EPDM MEMBRANE

